

M12

Stecker der Schutzklasse I
plug for safety class I

Zweipolig mit Schutzkontakt
2-pole plug with earthing-contact

CH-Type 12, 10 A, 250 V~,
SEV 1011:09+A1:12
IEC 60884-1:2002 (Ed.3)

Teilisolierte Stifte, vernickelt
*pins provided with insulation sleeves,
nickel-plated*



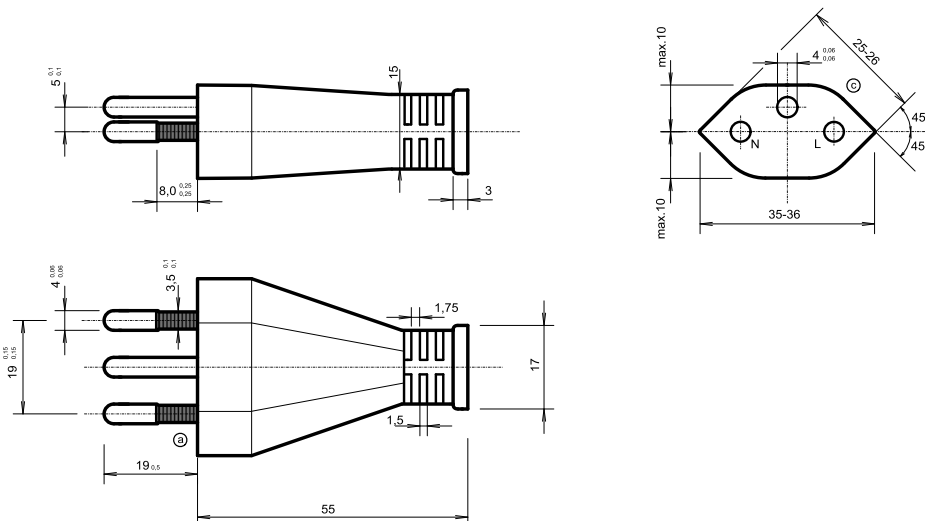
PASSENDE ANSCHLUSSLEITUNGEN

suitable flexible cord types

| | |
|-----------|----------|
| H03VV-F | 3 G 0,75 |
| H03RT-F | 3 G 0,75 |
| H05VV-F | 3 G 0,75 |
| H05VV-F | 3 G 1,00 |
| H05VV-F | 3 G 1,50 |
| H05V2V2-F | 3 G 0,75 |
| H05V2V2-F | 3 G 1,00 |
| H05V2V2-F | 3 G 1,50 |
| H05RN-F | 3 G 0,75 |
| H05RN-F | 3 G 1,00 |
| H05RR-F | 3 G 0,75 |
| H05RR-F | 3 G 1,00 |
| H05RR-F | 3 G 1,50 |
| H07RN-F | 3 G 1,00 |
| H07RN-F | 3 G 1,50 |
| H07BQ-F | 3 G 1,50 |

TECHNISCHE ZEICHNUNG

technical drawing



APPROBATIONEN

approvals

SCHWEIZ
Switzerland

